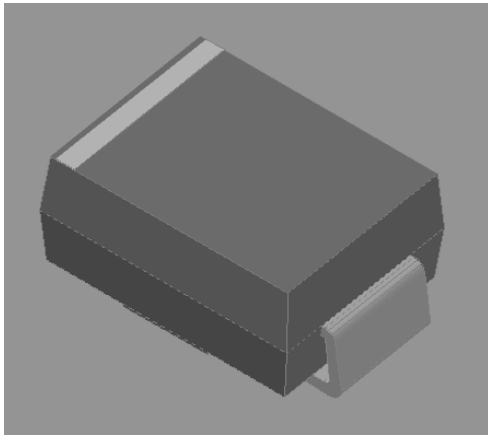


GifZaWY Acibh GidYf : agh FYWc jYfm FYWhjZjYf



:YahifYg

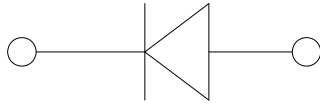
- Low profile package
- Ideal for automated placement
- Glass passivated chip junction
- High forward surge capability
- Super Fast reverse recovery time
- Meets MSL level 1, per J-STD-020, LF maximum peak of 260 °C

HmdjWa`5dd`jWah]cbg

For use in high frequency rectification of power supplies, inverters, converters, and freewheeling diodes for consumer, and telecommunication.

AYW\abjWa`8aha

- DaW_a[Y: DO-214AA (SMB)
- Molding compound meets UL 94 V-0 flammability rating, RoHS-compliant, halogen-free
- HYf a]ba`g: Tin plated leads, solderable per J-STD-002 and JESD22-B102
- Dc`af]hm: Cathode line denotes the cathode end



Aal]a ia Fah]b]g (Ta=25 Unless otherwise specified

D5F5A9H9F	GMA6C@	IB-H	9G'56	9G'66	9G'76	9G'86	9G':6	9G';6	9G'<6	9G'>6	9G'?6
Device marking code			ES3AB	ES3BB	ES3CB	ES3DB	ES3FB	ES3GB	ES3HB	ES3JB	ES3KB
Maximum Repetitive Peak Reverse Voltage	VRRM	V	50	100	150	200	300	400	500	600	800
Maximum RMS Voltage	VRMS	V	35	70	105	140	210	280	350	420	560
Maximum DC blocking Voltage	VDC	V	50	100	150	200	300	400	500	600	800
Average rectified output current @60Hz sine wave, resistance load, TL (Fig.1)	IO	A	3.0								
Forward Surge Current (Non-repetitive) @60Hz Half-sine wave, 1 cycle, Tj=25	IFSM	A	100								
Forward Surge Current (Non-repetitive) @1ms, square wave, 1 cycle, Tj=25			200								
Current squared time @1ms t 8.3ms Tj=25	²h k	² (1")									
G h c f U[Y h Y a d Y f U h i f Y	Hg h l		-55 ~ +150								
Junction temperature	Tj		-55 ~ +150								



9`YWhf]Wa` 7\afaWhYf]gh]Wg Ta



FIG3 Typical Forward Voltage

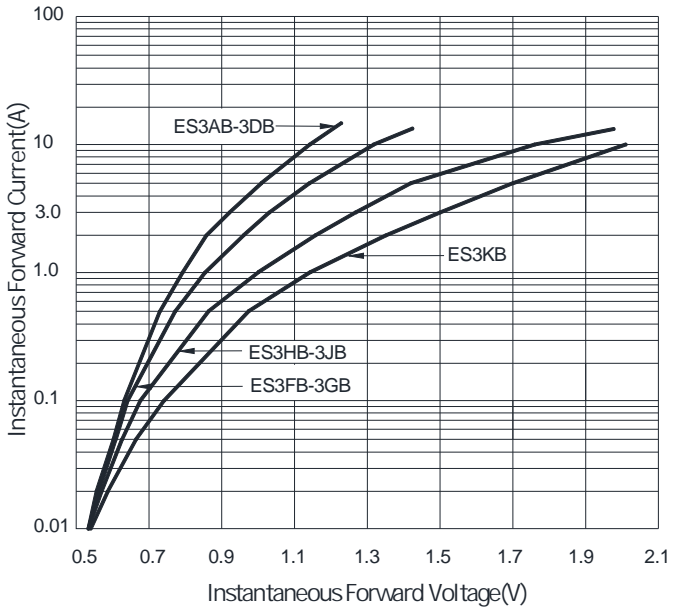
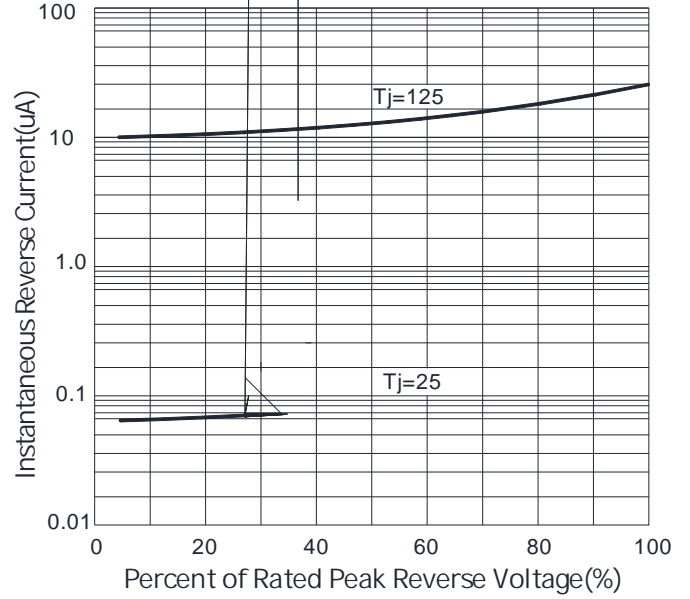


FIG4: Typical Reverse Characteristics



CfXYf]b[-bZcf a ah]cb (Example)

DF9 : 9F98 D#B	D57 ?-B ; 7C89	IB-H K9- ; <Hfl[L	A-B-A I A D57 ? 5 ; 9fidWgŁ	-BB9F 6CL E I 5BH-HMfidWgŁ	C I H9F 75FHCB E I 5BH-HMfidWgŁ	89@-J9FM AC89
9G'56!9G'?6	F1	Approximate 0.096	3000	/	48000	13" reel
9G'56!9G'?6	F2	Approximate 0.096	750	6000	24000	7" reel
9G'56!9G'?6	F3	Approximate 0.096	500	4000	16000	7" reel



C i h`]bY 8]a Ybg]cbg

8C!&%(55fGA6L G

Gi [[YghYX daX`amc ih



8]gW'a]a Yf

The information presented in this document is for reference only. Yangzhou Yangjie Electronic Technology Co., Ltd. reserves the right to make changes without notice for the specification of the products displayed herein to improve reliability, function or design or otherwise.

The product listed herein is designed to be used with ordinary electronic equipment or devices, and not designed to be used with equipment or devices which require high level of reliability and the malfunction of which would directly endanger human life (such as medical instruments, transportation equipment, aerospace machinery, nuclear-reactor controllers, fuel controllers and other safety devices), Yangjie or anyone on its behalf, assumes no responsibility or liability for any damages resulting from such improper use of sale.

This publication supersedes & replaces all information previously supplied. For additional information, please visit our website